

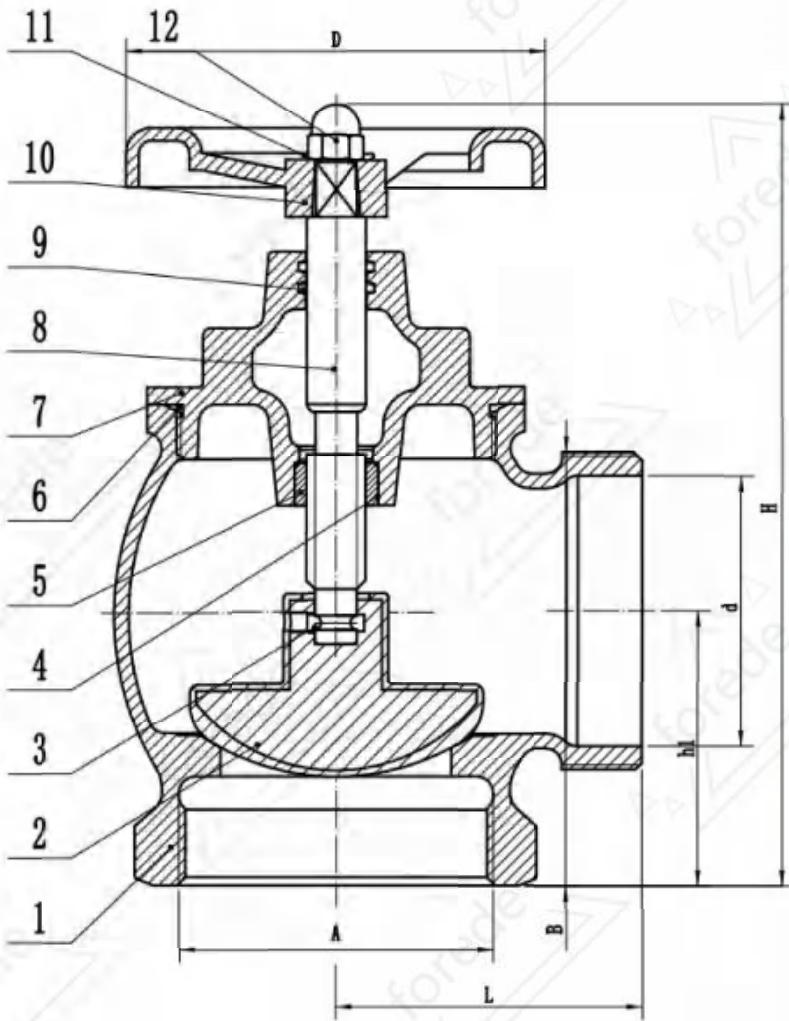
The FOREDE® Brand FRD-FV Series fire hydrant valve is made of ductile iron, it's more stronger and last longer. This type indoor fire hydrant valve is coated with powder epoxy, and the surface is more smooth and feel good. Overcome technical difficulties, use EPDM completely wrapped, curved surface Disc, better anti-rust and sealing performance.

#### FEATURES

- Ductile Iron Construction, stronger and longer service life
- Ductile Iron Seat coated with powder epoxy and the rubber vulcanized on the wedge, can last long and no wearing.
- Ductile Iron Hand Wheel, high grade, bonded.
- Stainless Steel Shaft, high strength, no corrosion, durability.



Model		FRD-FAV50	FRD-FAV65
Size		DN50	DN65
Material	Valve Body	Ductile Iron	
	Hand wheel	Ductile Iron	
	Disc	Ductile Iron with NBR	
Working Pressure		1.6MPa	
Testing Pressure		22.5 Bar	
End Connection		Thread (BS Standard)	
Adaptor Standard		Gost / Storz / American / Instantaneous etc.	



#### Part List & Material

Item NO	Part Name	Material
1	Body	Ductile Iron
2	Disc	DI+NBR
3	Bearing Ball	06cr19ni10
4	Screw M5x8	35#
5	Stem Screw	ZCuZn38
6	O-Ring	NBR/EPDM
7	Bonnet	T400-18
8	Stem	Hpb59-1
9	O-Ring	NBR/EPDM
10	Hand Wheel	QT450-10
11	Nameplate	L4
12	Nut	SS304

#### Dimension

Size	A	B	L	d	D	h1	H
DN50	Rp2"	G2"	62	45	100	57	168
DN65	Rp2.5"	G2.5"	73	64	100	65	185

#### Installation

Indoor Fire hydrants should be located on each floor for easy access, and it should be ensured that two adjacent indoor fire hydrants on the same floor can reach any part of the room at the same time.

When in use, connect the outlet of the indoor fire hydrant with the hose, and the other end of the hose is connected with the fire nozzle, and then the indoor fire hydrant hand wheel is turned on to spray water to extinguish the fire.

## Maintenance

- Regularly check whether the indoor fire hydrant is in good condition, whether there is rust or water leakage;
- Check if the coupling gasket is intact;
- Lubricating oil should be added to the stem of the indoor fire hydrant;
- Perform regular water discharge inspections to ensure that the water can be opened in time when a fire occurs.

## ORDERING GUIDE

- Model Number
- Inlet Connection way, size and standard.
- Order Quantity
- Shipping/Transportation Way

**\*Other special requirements please contact FOREDE SALES TEAM.**

**Tips: for more related products or other firefighting equipment, please forward to our website, [www.forede.com](http://www.forede.com)**