

forede[®]

P1: BASIC INSTRUCTION

PHF / C SERIES

IN-LINE FOAM INDUCTOR



QUANZHOU FOREDE FIREFIGHTING EQUIPMENT CO.,LTD.

EDITION 0624

DESCRIPTION

Rotatable main pipe

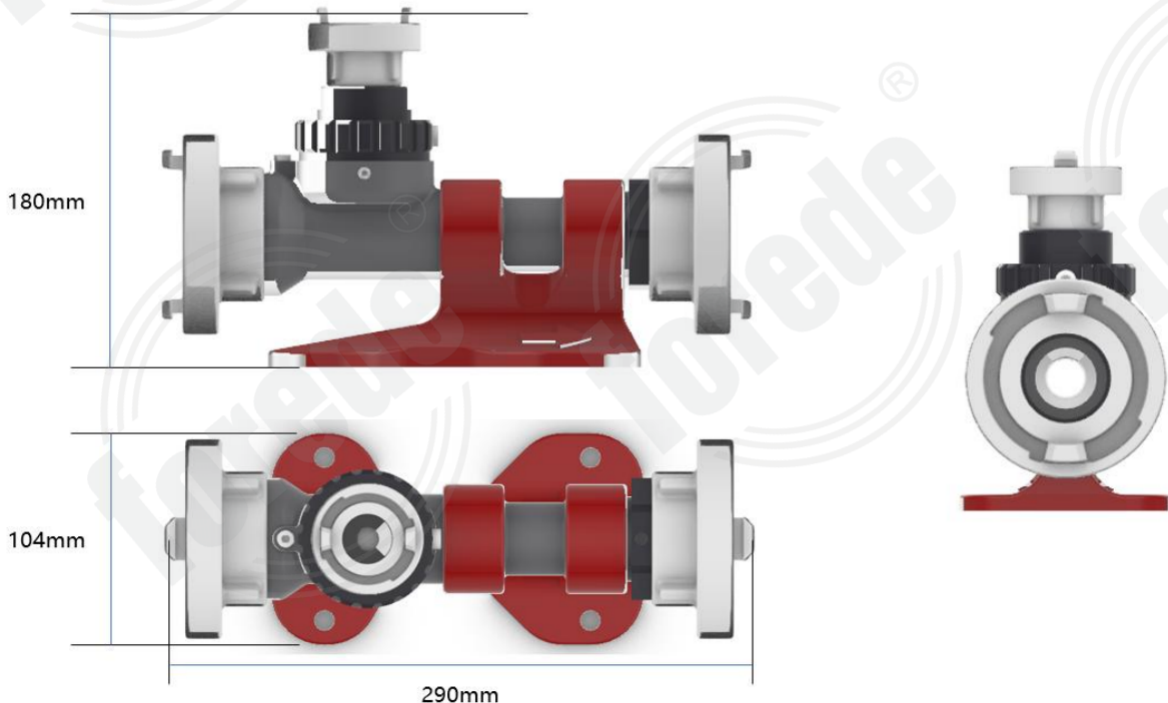
Rotate to adjust mixing ratio

Ratio indicating Screw



- ✓ Adjustable Ratios from 0.1-0.2-0.5-1-2-3-4-5-6%
- ✓ Hard anodized aluminum , Laser engraved
- ✓ Simple to operate (Rotate mixing ring to adjust foam ratio)
- ✓ Various connection methods, such as BS336, Storz, Gost, etc.
- ✓ Easy to service & repair
- ✓ Compatible with DN25 suction tube

OUTLINE DIMENSIONS



Unit: mm

TECHNICAL SPECIFICATIONS

Material	Aluminium Alloy	Flow Rate	200LPM/400LPM
W.P.	72PSI (5 bar)	Inlet Size	2"
Max. W.P.	205PSI (14 bar)	Coupling	Storz, NH, INST, GOST, Machino, etc.
Mixing Ratio	OFF-0.1-0.2-0.5-1-2-3-4-5-6 %		

OPERATING

- ① Make sure the inductor is connected correctly
- ② Place the pick-up tube into the foam solution
- ③ Adjust the ratio to the desired range
- ④ Activate pumps to supply water



Rotate adjustable ring



Ratio indicating screw



forede®

QUANZHOU FOREDE FIREFIGHTING EQUIPMENT CO.,LTD.

NO.278-1, MEITING VILLAGE, MEILIN SUB-DISTRICT
NAN'AN CITY, QUANZHOU CITY
FUJIAN PROVINCE
CHINA

www.forede.com

© Copyright | 06/2024 | FOREDE | Changes and errors expected to admin@forede.com